

Report ID:	28,306,411	Version:	2
Created:	09 Jul 2026		

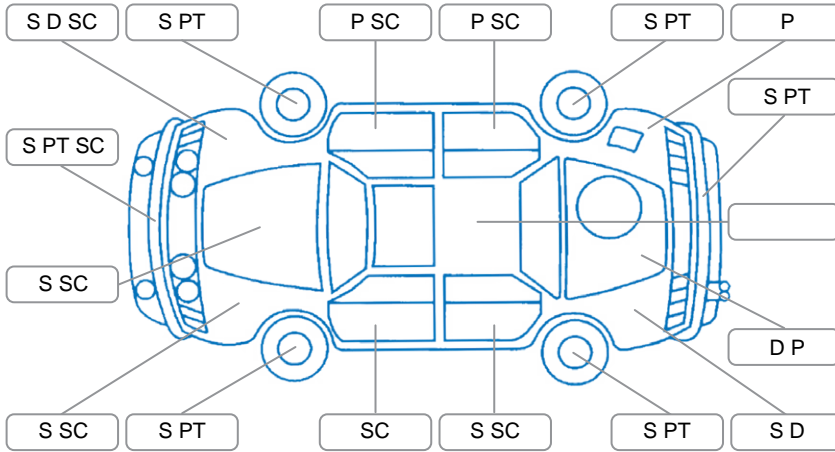
Make:	Volkswagen	Model:	Golf
Body Style:	Hatchback	Year:	2010
Rego No.:	NGZ506	Rego Expiry:	04 Sep 2026
WoF Expiry:	05 Sep 2026	Odometer:	130,865 Kms
Good No.:	28306411	VIN:	WVWZZZ1KZAM695047
Next Service:	139,000 Kms	Service History:	No

**Note: This report is not a warranty**

This report is a guide only. Consideration is made for age and mileage. Parts have not been dismantled or diagnostic testing undertaken. The vehicle has been driven up to 50km/h from cold. The Vendor recommends a full mechanical inspection prior to purchase and this can be arranged for an additional charge.

### Key

S = Scratch    R = Rust    C = Crack    \* = Decals    W = Significant scuffs  
 D = Dent    PT = Paint defect    P = Pin dent    SC = Stone Chips



Note: some defects and blemishes may not be displayed in the diagram

### Body Inspection Comments

Front bumper lower grille damaged.

Conditions During Body Inspection    Wet

### Under Carriage and Under Bonnet Inspection Comments

Engine oil leak.  
 RH outer CV boot split.

### Interior Comments

Seats:	Good
Carpets:	Good
Panels:	Poor, door card and headliner fabrics sagging.
Dashboard:	Average, steering wheel wearing.

### General Comments

Orange oil light flashes on dash for a few seconds after engine start up.  
 Engine oil level sensor wiring has been tampered with.

Road Conditions During Test Drive	Wet	
Engine Timing Mechanism	Timing Chain	
Evidence of Cam Belt Replacement	<input type="checkbox"/> Yes <input type="checkbox"/> No	Kms
Inspected by:	Troy Smith	
Published by:	Shanna Bullion	
Inspection Date:	06 Jul 2026	

	OK	Requires Attention	N/A
<b>Engine</b>			
Oil level	✓		
Smoke & fumes	✓		
Engine performance	✓		
Noise	✓		
Coolant condition	✓		
Cooling performance	✓		
Radiator / Hoses (visual)	✓		
<b>Transmission</b>			
Operation	✓		
Noise	✓		
Clutch			✓
CV joints	✓		
Wheel bearings	✓		
<b>Brakes</b>			
Performance	✓		
Hand brake	✓		
<b>Tyres (lowest observed tread depth of tyres)</b>			
Left front			3.0 mm
Right front			5.5 mm
Left rear			3.5 mm
Right rear			3.0 mm
Spare		Yes	
<b>Suspension</b>			
Suspension performance	✓		
Steering performance	✓		
Shock absorbers	✓		
<b>Air Conditioning / Heater</b>			
Operation	✓		
<b>Electrical / Accessories</b>			
Head lights	✓		
Tail lights	✓		
Indicators	✓		
Dashboard warning lights	✓		
Wipers (front & rear)	✓		
Window winder FL	✓		
Window winder FR	✓		
Window winder RL	✓		
Window winder RR	✓		
Rear view mirrors	✓		
Radio (basic test only)	✓		
CD (basic test only)	✓		
Number of keys	1		
Central locking	✓		
Remote locking	✓		
Sat. nav. (basic test only)			✓
Reversing camera	✓		

I have read and understood this condition guide:

NAME \_\_\_\_\_

SIGNATURE \_\_\_\_\_