

Report ID:	28,241,010	Version:	1
Created:	09 Jun 2026		

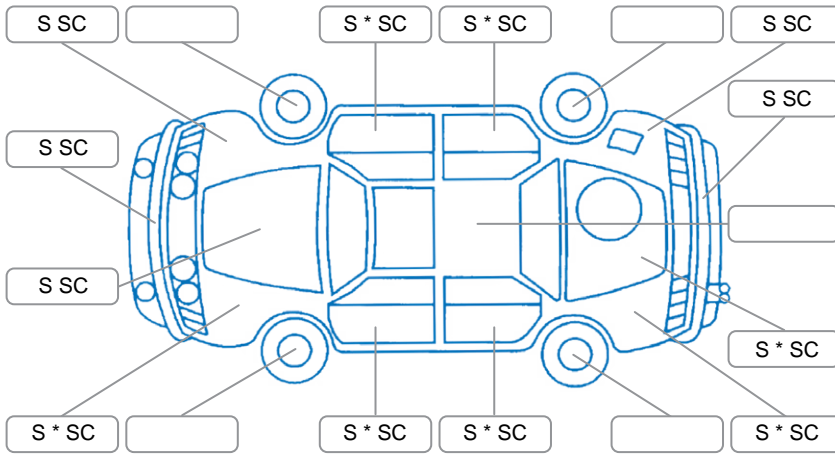
Make:	Mitsubishi	Model:	Triton
Body Style:	Utility	Year:	2016
Rego No.:	JPU621	Rego Expiry:	03 Feb 2027
WoF Expiry:	15 Dec 2026	Odometer:	
Good No.:	28241010	VIN:	MMAJYKK10GH015373
Next Service:	271781	Service History:	No

**Note: This report is not a warranty**

This report is a guide only. Consideration is made for age and mileage. Parts have not been dismantled or diagnostic testing undertaken. The vehicle has been driven up to 50km/h from cold. The Vendor recommends a full mechanical inspection prior to purchase and this can be arranged for an additional charge.

**Key**

S = Scratch    R = Rust    C = Crack    \* = Decals    W = Significant scuffs  
 D = Dent    PT = Paint defect    P = Pin dent    SC = Stone Chips



Note: some defects and blemishes may not be displayed in the diagram

**Body Inspection Comments**

Stone chip on windscreen/

Conditions During Body Inspection

Dry

**Under Carriage and Under Bonnet Inspection Comments**

2WD/Steering rack seepage/minor underbody surface rust/

**Interior Comments**

Seats:	drivers bottom pad ripped
Carpets:	Average
Panels:	Average
Dashboard:	hole for after market switch

**General Comments**

wobble on test drive further investigation needed

Road Conditions During Test Drive    Dry

Engine Timing Mechanism    Timing Chain

Evidence of Cam Belt Replacement     Yes     No    Kms

Inspected by:    Uriah Pepene

Published by:    Uriah Pepene

Inspection Date:    09 Jun 2026

	OK	Requires Attention	N/A
<b>Engine</b>			
Oil level	✓		
Smoke & fumes	✓		
Engine performance	✓		
Noise	✓		
Coolant condition	✓		
Cooling performance	✓		
Radiator / Hoses (visual)	✓		
<b>Transmission</b>			
Operation	✓		
Noise	✓		
Clutch			✓
CV joints	✓		
Wheel bearings	✓		
<b>Brakes</b>			
Performance	✓		
Hand brake	✓		
<b>Tyres (lowest observed tread depth of tyres)</b>			
Left front			8 mm
Right front			8 mm
Left rear			8 mm
Right rear			8 mm
Spare		Yes	
<b>Suspension</b>			
Suspension performance	✓		
Steering performance		✓	
Shock absorbers	✓		
<b>Air Conditioning / Heater</b>			
Operation	✓		
<b>Electrical / Accessories</b>			
Head lights	✓		
Tail lights	✓		
Indicators	✓		
Dashboard warning lights	✓		
Wipers (front & rear)	✓		
Window winder FL	✓		
Window winder FR	✓		
Window winder RL	✓		
Window winder RR	✓		
Rear view mirrors	✓		
Radio (basic test only)	✓		
CD (basic test only)	✓		
Number of keys	1		
Central locking	✓		
Remote locking	✓		
Sat. nav. (basic test only)			✓
Reversing camera	✓		

I have read and understood this condition guide:

NAME \_\_\_\_\_

SIGNATURE \_\_\_\_\_