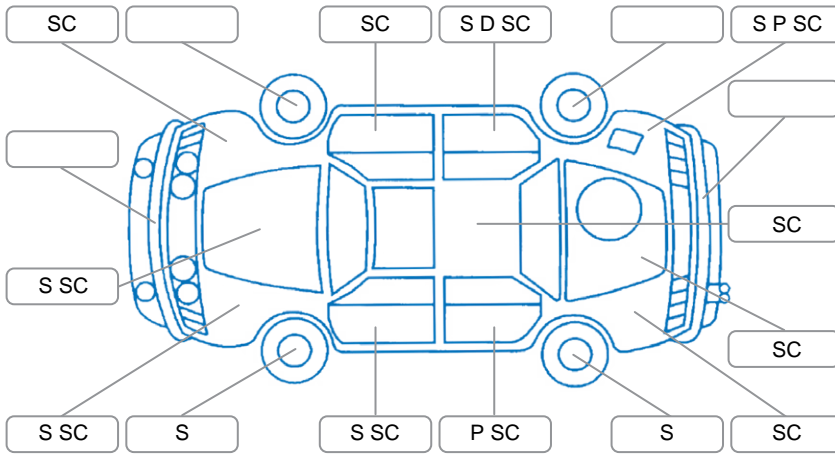


Report ID:	28,236,747	Version:	2
Created:	18 Jun 2026		

Make:	Suzuki	Model:	SX4
Body Style:	Hatchback	Year:	2010
Rego No.:	HAM303	Rego Expiry:	27 Jul 2026
WoF Expiry:	29 Jun 2027	Odometer:	87,947 Kms
Good No.:	28236747	VIN:	JSAGYA51S00301439
Next Service:	95,000 Kms	Service History:	No

Note: This report is not a warranty
 This report is a guide only. Consideration is made for age and mileage. Parts have not been dismantled or diagnostic testing undertaken. The vehicle has been driven up to 50km/h from cold. The Vendor recommends a full mechanical inspection prior to purchase and this can be arranged for an additional charge.

Key
 S = Scratch R = Rust C = Crack * = Decals W = Significant scuffs
 D = Dent PT = Paint defect P = Pin dent SC = Stone Chips



Note: some defects and blemishes may not be displayed in the diagram

Body Inspection Comments

Stone chip in windscreen.

Conditions During Body Inspection

Dry

Under Carriage and Under Bonnet Inspection Comments

Interior Comments

Seats:	Good
Carpets:	Good
Panels:	Good
Dashboard:	Good

General Comments

Fog lights missing.

Road Conditions During Test Drive	Dry	
Engine Timing Mechanism	Timing Chain	
Evidence of Cam Belt Replacement	<input type="checkbox"/> Yes <input type="checkbox"/> No	Kms
Inspected by:	Caleb Spicer Lee	
Published by:	Shanna Bullion	
Inspection Date:	09 Jun 2026	

	OK	Requires Attention	N/A
Engine			
Oil level	✓		
Smoke & fumes	✓		
Engine performance	✓		
Noise	✓		
Coolant condition	✓		
Cooling performance	✓		
Radiator / Hoses (visual)	✓		
Transmission			
Operation	✓		
Noise	✓		
Clutch			✓
CV joints	✓		
Wheel bearings	✓		
Brakes			
Performance	✓		
Hand brake	✓		
Tyres (lowest observed tread depth of tyres)			
Left front			4.0 mm
Right front			5.5 mm
Left rear			5.0 mm
Right rear			5.5 mm
Spare		Yes	
Suspension			
Suspension performance	✓		
Steering performance	✓		
Shock absorbers	✓		
Air Conditioning / Heater			
Operation	✓		
Electrical / Accessories			
Head lights	✓		
Tail lights	✓		
Indicators	✓		
Dashboard warning lights	✓		
Wipers (front & rear)	✓		
Window winder FL	✓		
Window winder FR	✓		
Window winder RL	✓		
Window winder RR	✓		
Rear view mirrors	✓		
Radio (basic test only)	✓		
CD (basic test only)	✓		
Number of keys	2		
Central locking	✓		
Remote locking	✓		
Sat. nav. (basic test only)			✓
Reversing camera			✓

I have read and understood this condition guide:

NAME _____

SIGNATURE _____