

Report ID:	28,217,792	Version:	2
Created:	05 Jun 2026		

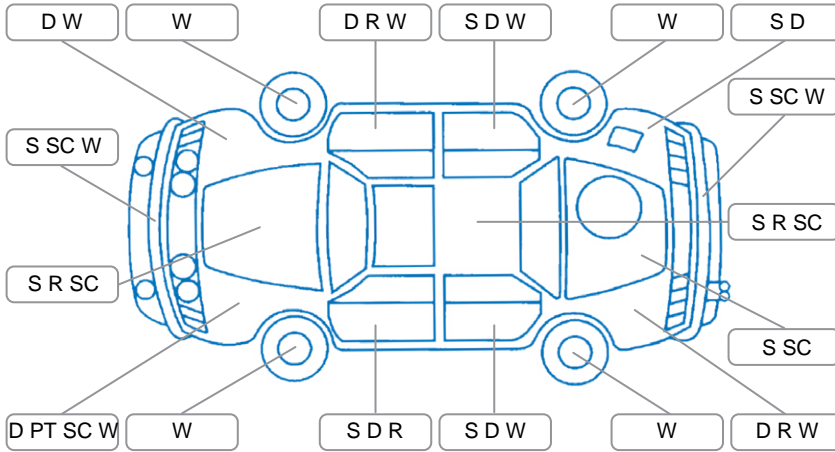
Make:	LDV	Model:	G10
Body Style:	Van	Year:	2017
Rego No.:	KKM323	Rego Expiry:	01 Nov 2026
WoF Expiry:	18 Sep 2026	Odometer:	197,781 Kms
Good No.:	28217792	VIN:	LSKG4GL14GA425123
Next Service:	207,522km	Service History:	Yes

**Note: This report is not a warranty**

This report is a guide only. Consideration is made for age and mileage. Parts have not been dismantled or diagnostic testing undertaken. The vehicle has been driven up to 50km/h from cold. The Vendor recommends a full mechanical inspection prior to purchase and this can be arranged for an additional charge.

### Key

S = Scratch    R = Rust    C = Crack    \* = Decals    W = Significant scuffs  
 D = Dent    PT = Paint defect    P = Pin dent    SC = Stone Chips



Note: some defects and blemishes may not be displayed in the diagram

### Body Inspection Comments

Windscreen stone chips  
 Loose drivers seat

Conditions During Body Inspection

Dry

### Under Carriage and Under Bonnet Inspection Comments

Rear wheel drive

### Interior Comments

Seats:	Poor
Carpets:	Average
Panels:	Average
Dashboard:	Average

### General Comments

Check engine light

Road Conditions During Test Drive	Dry		
Engine Timing Mechanism	Timing Chain		
Evidence of Cam Belt Replacement	<input type="checkbox"/> Yes	<input type="checkbox"/> No	Kms
Inspected by:	Rowan Fey		
Published by:	Rowan Fey		
Inspection Date:	05 Jun 2026		

	OK	Requires Attention	N/A
<b>Engine</b>			
Oil level	✓		
Smoke & fumes	✓		
Engine performance	✓		
Noise	✓		
Coolant condition	✓		
Cooling performance	✓		
Radiator / Hoses (visual)	✓		
<b>Transmission</b>			
Operation	✓		
Noise	✓		
Clutch	✓		
CV joints			✓
Wheel bearings	✓		
<b>Brakes</b>			
Performance	✓		
Hand brake	✓		
<b>Tyres (lowest observed tread depth of tyres)</b>			
Left front			6 mm
Right front			6 mm
Left rear			3 mm
Right rear			3 mm
Spare		Yes	
<b>Suspension</b>			
Suspension performance	✓		
Steering performance	✓		
Shock absorbers	✓		
<b>Air Conditioning / Heater</b>			
Operation	✓		
<b>Electrical / Accessories</b>			
Head lights	✓		
Tail lights	✓		
Indicators	✓		
Dashboard warning lights		✓	
Wipers (front & rear)	✓		
Window winder FL	✓		
Window winder FR	✓		
Window winder RL			✓
Window winder RR			✓
Rear view mirrors	✓		
Radio (basic test only)	✓		
CD (basic test only)			✓
Number of keys	1		
Central locking	✓		
Remote locking	✓		
Sat. nav. (basic test only)			✓
Reversing camera	✓		

I have read and understood this condition guide:

NAME \_\_\_\_\_

SIGNATURE \_\_\_\_\_