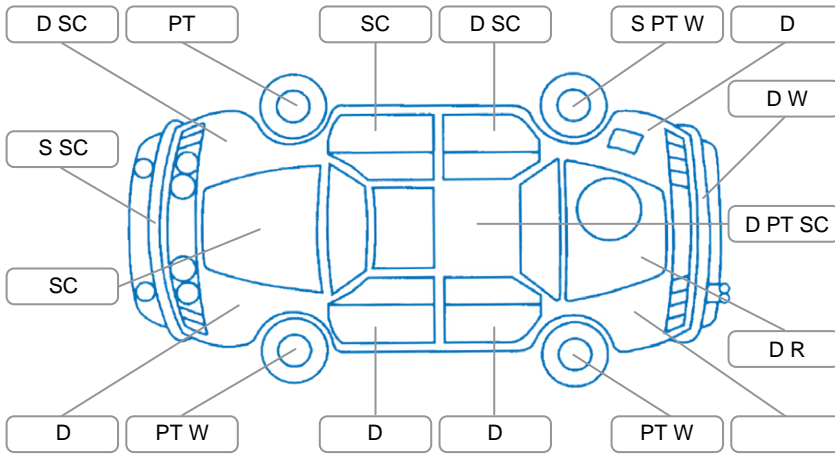


Report ID:	28,177,069	Version:	1
Created:	14 May 2026		

Make:	Toyota	Model:	Hilux
Body Style:	Utility	Year:	2010
Rego No.:	FRS225	Rego Expiry:	28 Sep 2026
WoF Expiry:	26 Nov 2026	Odometer:	318,123 Kms
Good No.:	28177069	VIN:	MR0FZ22GX01041219
Next Service:	321,000kms	Service History:	No

Note: This report is not a warranty
 This report is a guide only. Consideration is made for age and mileage. Parts have not been dismantled or diagnostic testing undertaken. The vehicle has been driven up to 50km/h from cold. The Vendor recommends a full mechanical inspection prior to purchase and this can be arranged for an additional charge.

Key
 S = Scratch R = Rust C = Crack * = Decals W = Significant scuffs
 D = Dent PT = Paint defect P = Pin dent SC = Stone Chips



Note: some defects and blemishes may not be displayed in the diagram

Body Inspection Comments

Runner seal of front grill/bonnet is torn. Right fog light blank cap is missing. Bases of aftermarket aerials on roof. Paint is framing on canopy. Numbers of dents on roof. Both sill paint worn. Running bards are bent. Left tail light is cracked (moisture inside). Roof rack key is missing.

Conditions During Body Inspection: Dry

Under Carriage and Under Bonnet Inspection Comments

Minor surface rust is developing under body.

Interior Comments

Seats:	Side of Right front base pad is torn.
Carpets:	Average
Panels:	Average
Dashboard:	Screw holes around dashboard and console.

General Comments

AC is operating but air circulation switch is jammed at out side air intake. Grab handle caps are missing.

Road Conditions During Test Drive	Dry
Engine Timing Mechanism	Cambelt
Evidence of Cam Belt Replacement	<input checked="" type="checkbox"/> Yes <input type="checkbox"/> No 279,836 Kms
Inspected by:	Yuki Itohara
Published by:	Callum Busuttill
Inspection Date:	12 May 2026

	OK	Requires Attention	N/A
Engine			
Oil level	✓		
Smoke & fumes	✓		
Engine performance	✓		
Noise	✓		
Coolant condition	✓		
Cooling performance	✓		
Radiator / Hoses (visual)	✓		
Transmission			
Operation	✓		
Noise	✓		
Clutch	✓		
CV joints	✓		
Wheel bearings	✓		
Brakes			
Performance	✓		
Hand brake	✓		
Tyres (lowest observed tread depth of tyres)			
Left front			8.0 mm
Right front			8.0 mm
Left rear			8.0 mm
Right rear			8.0 mm
Spare		Yes	
Suspension			
Suspension performance	✓		
Steering performance	✓		
Shock absorbers	✓		
Air Conditioning / Heater			
Operation		✓	
Electrical / Accessories			
Head lights	✓		
Tail lights	✓		
Indicators	✓		
Dashboard warning lights	✓		
Wipers (front & rear)	✓		
Window winder FL	✓		
Window winder FR	✓		
Window winder RL	✓		
Window winder RR	✓		
Rear view mirrors	✓		
Radio (basic test only)	✓		
CD (basic test only)	✓		
Number of keys	2		
Central locking	✓		
Remote locking	✓		
Sat. nav. (basic test only)			✓
Reversing camera			✓

I have read and understood this condition guide:

NAME _____

SIGNATURE _____