

| | | | |
|------------|-------------|----------|---|
| Report ID: | 28,101,327 | Version: | 1 |
| Created: | 08 Apr 2026 | | |

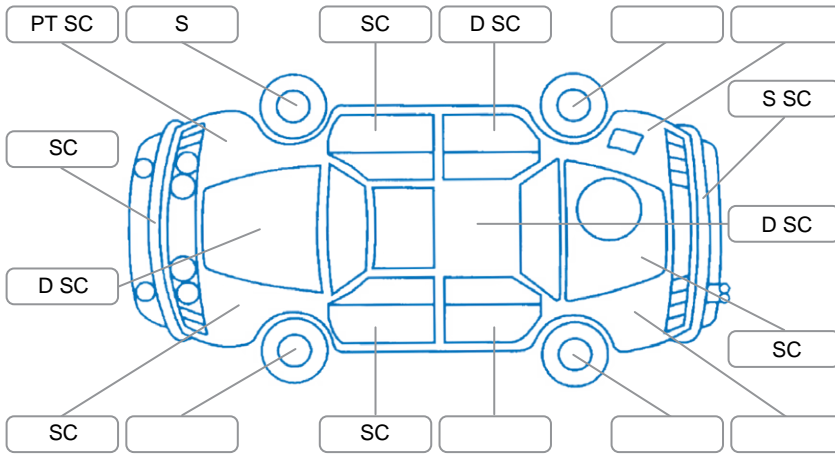
| | | | |
|---------------|-------------|------------------|-------------------|
| Make: | Subaru | Model: | Legacy |
| Body Style: | Wagon | Year: | 2011 |
| Rego No.: | MGP92 | Rego Expiry: | 19 Jan 2027 |
| WoF Expiry: | 22 Sep 2026 | Odometer: | 262,692 Kms |
| Good No.: | 28101327 | VIN: | 7AT0GF0BX19056396 |
| Next Service: | 258,000 Kms | Service History: | No |

Note: This report is not a warranty

This report is a guide only. Consideration is made for age and mileage. Parts have not been dismantled or diagnostic testing undertaken. The vehicle has been driven up to 50km/h from cold. The Vendor recommends a full mechanical inspection prior to purchase and this can be arranged for an additional charge.

Key

S = Scratch R = Rust C = Crack * = Decals W = Significant scuffs
 D = Dent PT = Paint defect P = Pin dent SC = Stone Chips



Note: some defects and blemishes may not be displayed in the diagram

Body Inspection Comments

LF fog light cracked.
 Dents in both cant rails.
 Paint defect on RH side skirt.

Conditions During Body Inspection Dry

Under Carriage and Under Bonnet Inspection Comments

Engine oil leak.

Interior Comments

| | |
|------------|------|
| Seats: | Good |
| Carpets: | Good |
| Panels: | Good |
| Dashboard: | Good |

General Comments

Steering knock .

| | |
|-----------------------------------|--|
| Road Conditions During Test Drive | Dry |
| Engine Timing Mechanism | Cambelt |
| Evidence of Cam Belt Replacement | <input checked="" type="checkbox"/> Yes <input type="checkbox"/> No 101,101 Kms |
| Inspected by: | Caleb Spicer Lee |
| Published by: | Caleb Spicer Lee |
| Inspection Date: | 08 Apr 2026 |

| | OK | Requires Attention | N/A |
|---|----|--------------------|--------|
| Engine | | | |
| Oil level | ✓ | | |
| Smoke & fumes | ✓ | | |
| Engine performance | ✓ | | |
| Noise | ✓ | | |
| Coolant condition | ✓ | | |
| Cooling performance | ✓ | | |
| Radiator / Hoses (visual) | ✓ | | |
| Transmission | | | |
| Operation | ✓ | | |
| Noise | ✓ | | |
| Clutch | | | ✓ |
| CV joints | ✓ | | |
| Wheel bearings | ✓ | | |
| Brakes | | | |
| Performance | ✓ | | |
| Hand brake | ✓ | | |
| Tyres (lowest observed tread depth of tyres) | | | |
| Left front | | | 4.5 mm |
| Right front | | | 5 mm |
| Left rear | | | 3 mm |
| Right rear | | | 4 mm |
| Spare | | Yes | |
| Suspension | | | |
| Suspension performance | ✓ | | |
| Steering performance | | ✓ | |
| Shock absorbers | ✓ | | |
| Air Conditioning / Heater | | | |
| Operation | ✓ | | |
| Electrical / Accessories | | | |
| Head lights | ✓ | | |
| Tail lights | ✓ | | |
| Indicators | ✓ | | |
| Dashboard warning lights | ✓ | | |
| Wipers (front & rear) | ✓ | | |
| Window winder FL | ✓ | | |
| Window winder FR | ✓ | | |
| Window winder RL | ✓ | | |
| Window winder RR | ✓ | | |
| Rear view mirrors | ✓ | | |
| Radio (basic test only) | ✓ | | |
| CD (basic test only) | ✓ | | |
| Number of keys | 1 | | |
| Central locking | ✓ | | |
| Remote locking | ✓ | | |
| Sat. nav. (basic test only) | | | ✓ |
| Reversing camera | ✓ | | |

I have read and understood this condition guide:

NAME _____

SIGNATURE _____