

| | | | |
|------------|-------------|----------|---|
| Report ID: | 28,078,037 | Version: | 2 |
| Created: | 12 Apr 2026 | | |

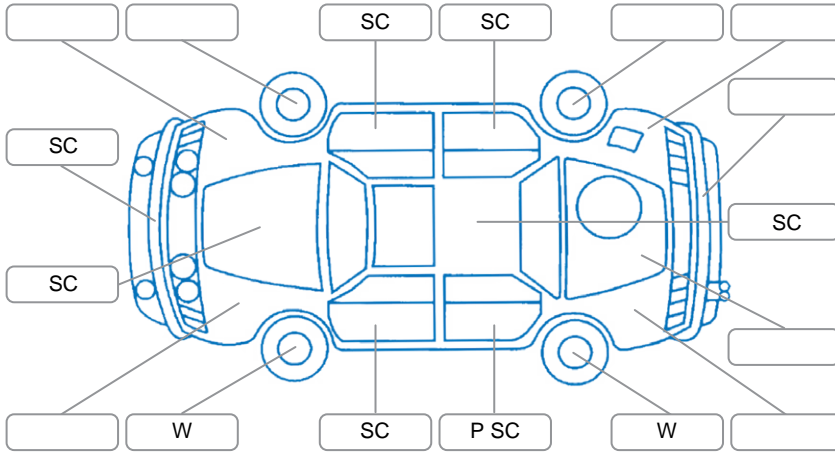
| | | | |
|---------------|-------------|------------------|-------------------|
| Make: | MG | Model: | ZS |
| Body Style: | SUV | Year: | 2022 |
| Rego No.: | RQJ962 | Rego Expiry: | 15 Aug 2026 |
| WoF Expiry: | 10 Apr 2027 | Odometer: | 35,354 Kms |
| Good No.: | 28078037 | VIN: | LSJW74U95NZ171544 |
| Next Service: | 43,890 km | Service History: | No |

Note: This report is not a warranty

This report is a guide only. Consideration is made for age and mileage. Parts have not been dismantled or diagnostic testing undertaken. The vehicle has been driven up to 50km/h from cold. The Vendor recommends a full mechanical inspection prior to purchase and this can be arranged for an additional charge.

Key

S = Scratch R = Rust C = Crack * = Decals W = Significant scuffs
 D = Dent PT = Paint defect P = Pin dent SC = Stone Chips



Note: some defects and blemishes may not be displayed in the diagram

Body Inspection Comments

Conditions During Body Inspection: Dry

Under Carriage and Under Bonnet Inspection Comments

Front wheel drive.

Interior Comments

| | |
|------------|---------|
| Seats: | Average |
| Carpets: | Average |
| Panels: | Average |
| Dashboard: | Average |

General Comments

New VTNZ warrant of fitness.

| | | | |
|-----------------------------------|------------------------------|-----------------------------|-----|
| Road Conditions During Test Drive | Dry | | |
| Engine Timing Mechanism | Timing Chain | | |
| Evidence of Cam Belt Replacement | <input type="checkbox"/> Yes | <input type="checkbox"/> No | Kms |
| Inspected by: | Imraan Bryant | | |
| Published by: | Erin White | | |
| Inspection Date: | 30 Mar 2026 | | |

| | OK | Requires Attention | N/A |
|---|----|--------------------|--------|
| Engine | | | |
| Oil level | ✓ | | |
| Smoke & fumes | ✓ | | |
| Engine performance | ✓ | | |
| Noise | ✓ | | |
| Coolant condition | ✓ | | |
| Cooling performance | ✓ | | |
| Radiator / Hoses (visual) | ✓ | | |
| Transmission | | | |
| Operation | ✓ | | |
| Noise | ✓ | | |
| Clutch | | | ✓ |
| CV joints | ✓ | | |
| Wheel bearings | ✓ | | |
| Brakes | | | |
| Performance | ✓ | | |
| Hand brake | ✓ | | |
| Tyres (lowest observed tread depth of tyres) | | | |
| Left front | | | 5.0 mm |
| Right front | | | 5.0 mm |
| Left rear | | | 5.0 mm |
| Right rear | | | 5.0 mm |
| Spare | | Yes | |
| Suspension | | | |
| Suspension performance | ✓ | | |
| Steering performance | ✓ | | |
| Shock absorbers | ✓ | | |
| Air Conditioning / Heater | | | |
| Operation | ✓ | | |
| Electrical / Accessories | | | |
| Head lights | ✓ | | |
| Tail lights | ✓ | | |
| Indicators | ✓ | | |
| Dashboard warning lights | ✓ | | |
| Wipers (front & rear) | ✓ | | |
| Window winder FL | ✓ | | |
| Window winder FR | ✓ | | |
| Window winder RL | ✓ | | |
| Window winder RR | ✓ | | |
| Rear view mirrors | ✓ | | |
| Radio (basic test only) | ✓ | | |
| CD (basic test only) | ✓ | | |
| Number of keys | | 2 | |
| Central locking | ✓ | | |
| Remote locking | ✓ | | |
| Sat. nav. (basic test only) | ✓ | | |
| Reversing camera | ✓ | | |

I have read and understood this condition guide:

NAME _____

SIGNATURE _____