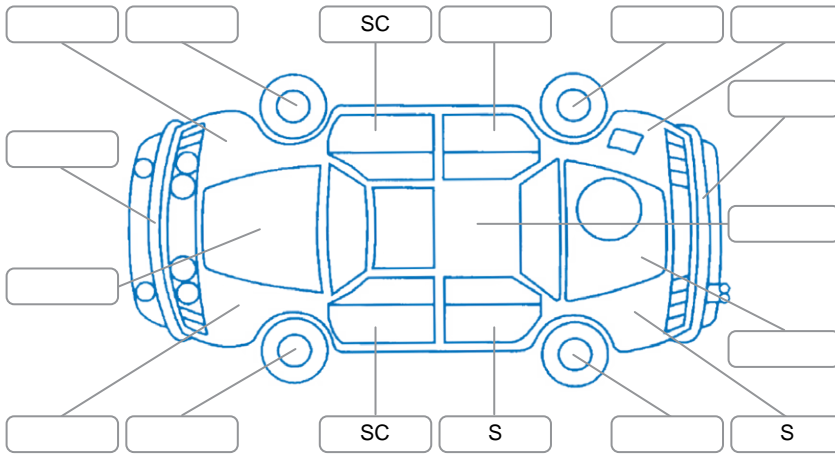


Report ID:	27,978,731	Version:	3
Created:	03 Jun 2026		

Make:	Nissan	Model:	Caravan
Body Style:	Minibus	Year:	2020
Rego No.:		Rego Expiry:	
WoF Expiry:	20 May 2027	Odometer:	102,177 Kms
Good No.:	27978731	VIN:	7AT0DH06X26110252
Next Service:	112,174 Kms	Service History:	No

Note: This report is not a warranty
 This report is a guide only. Consideration is made for age and mileage. Parts have not been dismantled or diagnostic testing undertaken. The vehicle has been driven up to 50km/h from cold. The Vendor recommends a full mechanical inspection prior to purchase and this can be arranged for an additional charge.

Key
 S = Scratch R = Rust C = Crack * = Decals W = Significant scuffs
 D = Dent PT = Paint defect P = Pin dent SC = Stone Chips



Note: some defects and blemishes may not be displayed in the diagram

Body Inspection Comments

Tyre repair kit instead of spare wheel.

Conditions During Body Inspection

Under Carriage and Under Bonnet Inspection Comments

Interior Comments

Seats:	Good
Carpets:	Good
Panels:	Good
Dashboard:	Good

General Comments

Road Conditions During Test Drive	Dry		
Engine Timing Mechanism	Timing Chain		
Evidence of Cam Belt Replacement	<input type="checkbox"/> Yes	<input type="checkbox"/> No	Kms
Inspected by:	Troy Smith		
Published by:	Shanna Bullion		
Inspection Date:	27 May 2026		

	OK	Requires Attention	N/A
Engine			
Oil level	✓		
Smoke & fumes	✓		
Engine performance	✓		
Noise	✓		
Coolant condition	✓		
Cooling performance	✓		
Radiator / Hoses (visual)	✓		
Transmission			
Operation	✓		
Noise	✓		
Clutch			✓
CV joints	✓		
Wheel bearings	✓		
Brakes			
Performance	✓		
Hand brake	✓		
Tyres (lowest observed tread depth of tyres)			
Left front			7.5 mm
Right front			7.5 mm
Left rear			7.5 mm
Right rear			7.5 mm
Spare		N/A	
Suspension			
Suspension performance	✓		
Steering performance	✓		
Shock absorbers	✓		
Air Conditioning / Heater			
Operation	✓		
Electrical / Accessories			
Head lights	✓		
Tail lights	✓		
Indicators	✓		
Dashboard warning lights	✓		
Wipers (front & rear)	✓		
Window winder FL	✓		
Window winder FR	✓		
Window winder RL			✓
Window winder RR			✓
Rear view mirrors	✓		
Radio (basic test only)	✓		
CD (basic test only)			✓
Number of keys	2		
Central locking	✓		
Remote locking	✓		
Sat. nav. (basic test only)			✓
Reversing camera	✓		

I have read and understood this condition guide:

NAME _____

SIGNATURE _____