

|            |             |          |   |
|------------|-------------|----------|---|
| Report ID: | 27,963,620  | Version: | 4 |
| Created:   | 07 Mar 2026 |          |   |

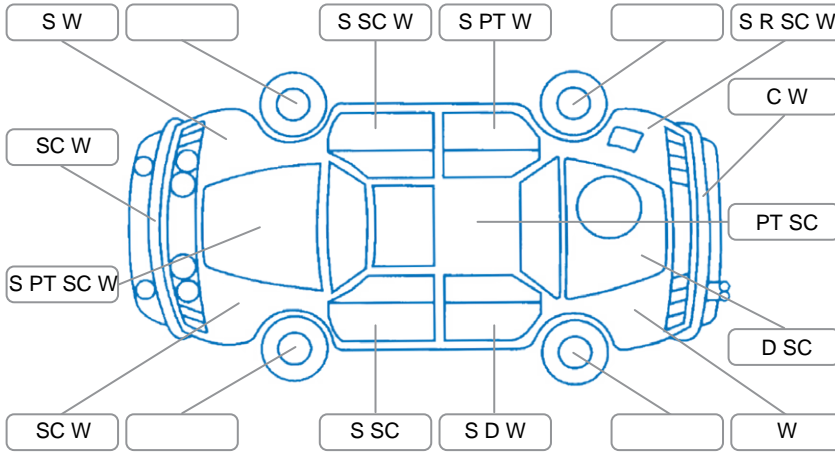
|               |             |                  |                   |
|---------------|-------------|------------------|-------------------|
| Make:         | Nissan      | Model:           | X-Trail           |
| Body Style:   | SUV         | Year:            | 2013              |
| Rego No.:     | GWG412      | Rego Expiry:     | 08 May 2026       |
| WoF Expiry:   | 18 Sep 2026 | Odometer:        | 222,991 Kms       |
| Good No.:     | 27963620    | VIN:             | JN1TANT31A0208700 |
| Next Service: | 231,500     | Service History: | No                |

**Note: This report is not a warranty**

This report is a guide only. Consideration is made for age and mileage. Parts have not been dismantled or diagnostic testing undertaken. The vehicle has been driven up to 50km/h from cold. The Vendor recommends a full mechanical inspection prior to purchase and this can be arranged for an additional charge.

**Key**

S = Scratch    R = Rust    C = Crack    \* = Decals    W = Significant scuffs  
 D = Dent    PT = Paint defect    P = Pin dent    SC = Stone Chips



Note: some defects and blemishes may not be displayed in the diagram

**Body Inspection Comments**

Conditions During Body Inspection: Dry

**Under Carriage and Under Bonnet Inspection Comments**

**Interior Comments**

|            |         |
|------------|---------|
| Seats:     | Average |
| Carpets:   | Average |
| Panels:    | Average |
| Dashboard: | Average |

**General Comments**

|                                   |  |     |
|-----------------------------------|--|-----|
| Road Conditions During Test Drive | Dry  |     |
| Engine Timing Mechanism           | Timing Chain   |     |
| Evidence of Cam Belt Replacement  | <input type="checkbox"/> Yes <input type="checkbox"/> No | Kms |
| Inspected by:                     | Finlay Lemmens   |     |
| Published by:                     | Casey Lewis  |     |
| Inspection Date:                  | 09 Feb 2026  |     |

|   | OK | Requires Attention | N/A    |
|---|----|--------------------|--------|
| <b>Engine</b>                                       |    |                    |        |
| Oil level   | ✓  |                    |        |
| Smoke & fumes                                       | ✓  |                    |        |
| Engine performance                                  | ✓  |                    |        |
| Noise   | ✓  |                    |        |
| Coolant condition                                   | ✓  |                    |        |
| Cooling performance                                 | ✓  |                    |        |
| Radiator / Hoses (visual)                           | ✓  |                    |        |
| <b>Transmission</b>                                 |    |                    |        |
| Operation   | ✓  |                    |        |
| Noise   | ✓  |                    |        |
| Clutch  |    |                    | ✓      |
| CV joints   | ✓  |                    |        |
| Wheel bearings                                      | ✓  |                    |        |
| <b>Brakes</b>                                       |    |                    |        |
| Performance   | ✓  |                    |        |
| Hand brake  | ✓  |                    |        |
| <b>Tyres (lowest observed tread depth of tyres)</b> |    |                    |        |
| Left front  |    |                    | 7.0 mm |
| Right front   |    |                    | 7.0 mm |
| Left rear   |    |                    | 7.0 mm |
| Right rear  |    |                    | 7.0 mm |
| Spare   |    | Yes                |        |
| <b>Suspension</b>                                   |    |                    |        |
| Suspension performance                              | ✓  |                    |        |
| Steering performance                                | ✓  |                    |        |
| Shock absorbers                                     | ✓  |                    |        |
| <b>Air Conditioning / Heater</b>                    |    |                    |        |
| Operation   | ✓  |                    |        |
| <b>Electrical / Accessories</b>                     |    |                    |        |
| Head lights   | ✓  |                    |        |
| Tail lights   | ✓  |                    |        |
| Indicators  | ✓  |                    |        |
| Dashboard warning lights                            | ✓  |                    |        |
| Wipers (front & rear)                               | ✓  |                    |        |
| Window winder FL                                    | ✓  |                    |        |
| Window winder FR                                    | ✓  |                    |        |
| Window winder RL                                    | ✓  |                    |        |
| Window winder RR                                    | ✓  |                    |        |
| Rear view mirrors                                   | ✓  |                    |        |
| Radio (basic test only)                             | ✓  |                    |        |
| CD (basic test only)                                | ✓  |                    |        |
| Number of keys                                      |    | 2                  |        |
| Central locking                                     | ✓  |                    |        |
| Remote locking                                      | ✓  |                    |        |
| Sat. nav. (basic test only)                         |    |                    | ✓      |
| Reversing camera                                    | ✓  |                    |        |

I have read and understood this condition guide:

NAME \_\_\_\_\_

SIGNATURE \_\_\_\_\_