

| | | | |
|------------|-------------|----------|---|
| Report ID: | 27,924,028 | Version: | 2 |
| Created: | 26 Mar 2026 | | |

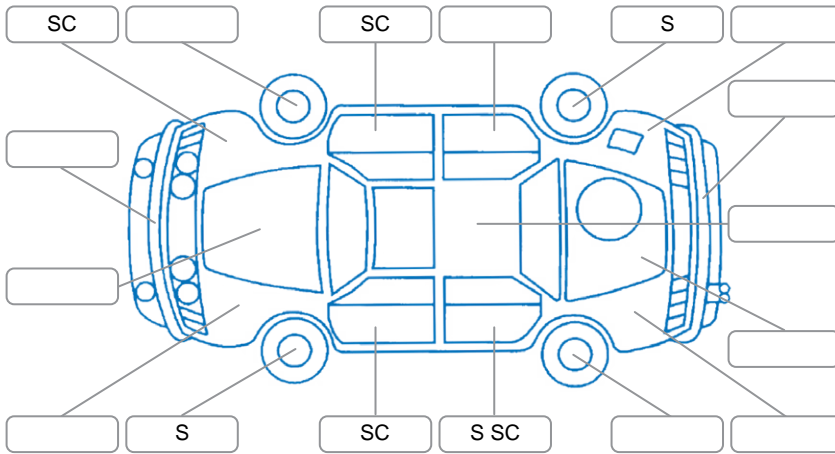
| | | | |
|---------------|-------------|------------------|-------------------|
| Make: | Toyota | Model: | Hiace |
| Body Style: | Van | Year: | 2020 |
| Rego No.: | | Rego Expiry: | |
| WoF Expiry: | 09 Mar 2027 | Odometer: | 101,491 Kms |
| Good No.: | 27924028 | VIN: | 7AT0H60FX26326346 |
| Next Service: | 111,483 Kms | Service History: | No |

Note: This report is not a warranty

This report is a guide only. Consideration is made for age and mileage. Parts have not been dismantled or diagnostic testing undertaken. The vehicle has been driven up to 50km/h from cold. The Vendor recommends a full mechanical inspection prior to purchase and this can be arranged for an additional charge.

Key

S = Scratch R = Rust C = Crack * = Decals W = Significant scuffs
 D = Dent PT = Paint defect P = Pin dent SC = Stone Chips



Note: some defects and blemishes may not be displayed in the diagram

Body Inspection Comments

Conditions During Body Inspection: Dry

Under Carriage and Under Bonnet Inspection Comments

Interior Comments

| | |
|------------|------|
| Seats: | Good |
| Carpets: | Good |
| Panels: | Good |
| Dashboard: | Good |

General Comments

One key fob not working.

| | |
|-----------------------------------|---|
| Road Conditions During Test Drive | Dry |
| Engine Timing Mechanism | Timing Chain |
| Evidence of Cam Belt Replacement | <input type="checkbox"/> Yes <input type="checkbox"/> No Kms |
| Inspected by: | Caleb Spicer Lee |
| Published by: | Shanna Bullion |
| Inspection Date: | 12 Mar 2026 |

| | OK | Requires Attention | N/A |
|---|----|--------------------|--------|
| Engine | | | |
| Oil level | ✓ | | |
| Smoke & fumes | ✓ | | |
| Engine performance | ✓ | | |
| Noise | ✓ | | |
| Coolant condition | ✓ | | |
| Cooling performance | ✓ | | |
| Radiator / Hoses (visual) | ✓ | | |
| Transmission | | | |
| Operation | ✓ | | |
| Noise | ✓ | | |
| Clutch | | | ✓ |
| CV joints | | | ✓ |
| Wheel bearings | ✓ | | |
| Brakes | | | |
| Performance | ✓ | | |
| Hand brake | ✓ | | |
| Tyres (lowest observed tread depth of tyres) | | | |
| Left front | | | 8 mm |
| Right front | | | 8 mm |
| Left rear | | | 5.0 mm |
| Right rear | | | 5.0 mm |
| Spare | | Yes | |
| Suspension | | | |
| Suspension performance | ✓ | | |
| Steering performance | ✓ | | |
| Shock absorbers | ✓ | | |
| Air Conditioning / Heater | | | |
| Operation | ✓ | | |
| Electrical / Accessories | | | |
| Head lights | ✓ | | |
| Tail lights | ✓ | | |
| Indicators | ✓ | | |
| Dashboard warning lights | ✓ | | |
| Wipers (front & rear) | ✓ | | |
| Window winder FL | ✓ | | |
| Window winder FR | ✓ | | |
| Window winder RL | | | ✓ |
| Window winder RR | | | ✓ |
| Rear view mirrors | ✓ | | |
| Radio (basic test only) | ✓ | | |
| CD (basic test only) | | | ✓ |
| Number of keys | 2 | | |
| Central locking | ✓ | | |
| Remote locking | ✓ | | |
| Sat. nav. (basic test only) | | | ✓ |
| Reversing camera | | | ✓ |

I have read and understood this condition guide:

NAME _____

SIGNATURE _____