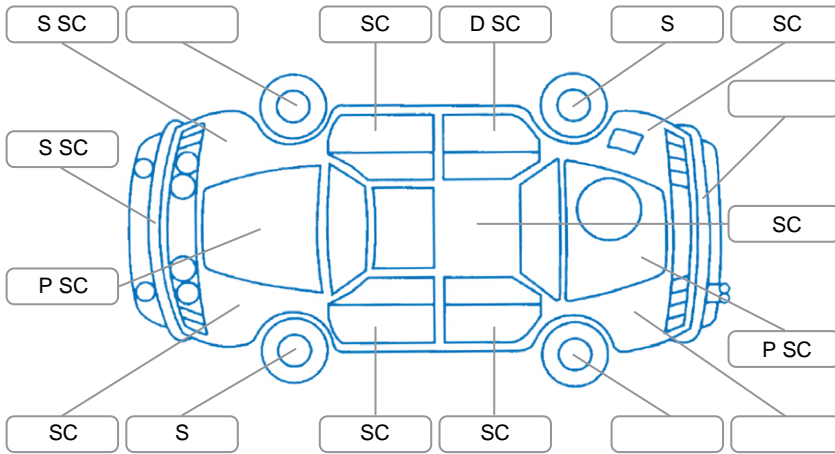


Report ID:	27,564,596	Version:	1
Created:	26 Mar 2026		

Make:	Ford	Model:	Ranger
Body Style:	Utility	Year:	2021
Rego No.:	RQK177	Rego Expiry:	28 Aug 2026
WoF Expiry:	08 Apr 2027	Odometer:	184,023 Kms
Good No.:	27564596	VIN:	MNAUMFF50MW160894
Next Service:	Unknown	Service History:	Yes

Note: This report is not a warranty
 This report is a guide only. Consideration is made for age and mileage. Parts have not been dismantled or diagnostic testing undertaken. The vehicle has been driven up to 50km/h from cold. The Vendor recommends a full mechanical inspection prior to purchase and this can be arranged for an additional charge.

Key
 S = Scratch R = Rust C = Crack * = Decals W = Significant scuffs
 D = Dent PT = Paint defect P = Pin dent SC = Stone Chips



Note: some defects and blemishes may not be displayed in the diagram

Body Inspection Comments

FR sill step plate worn.
 FR door seal split.
 Canopy side window latches loose.

Conditions During Body Inspection Dry

Under Carriage and Under Bonnet Inspection Comments

Interior Comments

Seats:	Good
Carpets:	Good
Panels:	Good
Dashboard:	Good

General Comments

Road Conditions During Test Drive	Wet		
Engine Timing Mechanism	Timing Chain		
Evidence of Cam Belt Replacement	<input type="checkbox"/> Yes	<input type="checkbox"/> No	Kms
Inspected by:	Troy Smith		
Published by:	Troy Smith		
Inspection Date:	26 Mar 2026		

	OK	Requires Attention	N/A
Engine			
Oil level	✓		
Smoke & fumes	✓		
Engine performance	✓		
Noise	✓		
Coolant condition	✓		
Cooling performance	✓		
Radiator / Hoses (visual)	✓		
Transmission			
Operation	✓		
Noise	✓		
Clutch			✓
CV joints	✓		
Wheel bearings	✓		
Brakes			
Performance	✓		
Hand brake	✓		
Tyres (lowest observed tread depth of tyres)			
Left front			2.5 mm
Right front			3 mm
Left rear			3.5 mm
Right rear			3.5 mm
Spare		Yes	
Suspension			
Suspension performance	✓		
Steering performance	✓		
Shock absorbers	✓		
Air Conditioning / Heater			
Operation	✓		
Electrical / Accessories			
Head lights	✓		
Tail lights	✓		
Indicators	✓		
Dashboard warning lights	✓		
Wipers (front & rear)	✓		
Window winder FL	✓		
Window winder FR	✓		
Window winder RL	✓		
Window winder RR	✓		
Rear view mirrors	✓		
Radio (basic test only)	✓		
CD (basic test only)	✓		
Number of keys	1		
Central locking	✓		
Remote locking	✓		
Sat. nav. (basic test only)	✓		
Reversing camera	✓		

I have read and understood this condition guide:

NAME _____

SIGNATURE _____