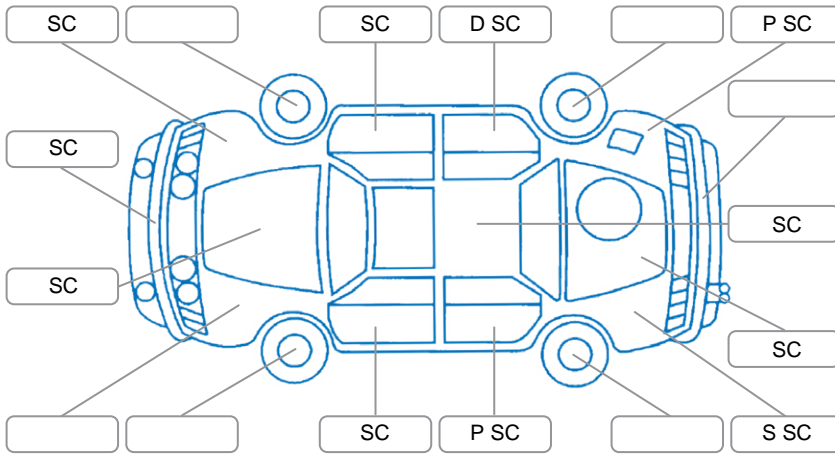


Report ID:	27,564,583	Version:	1
Created:	26 Mar 2026		

Make:	Mitsubishi	Model:	Triton
Body Style:	Utility	Year:	2021
Rego No.:	NYU411	Rego Expiry:	19 Oct 2026
WoF Expiry:	30 Mar 2027	Odometer:	145,814 Kms
Good No.:	27564583	VIN:	MMAJLKL10NH009150
Next Service:	150,000 Kms	Service History:	Yes

**Note: This report is not a warranty**  
 This report is a guide only. Consideration is made for age and mileage. Parts have not been dismantled or diagnostic testing undertaken. The vehicle has been driven up to 50km/h from cold. The Vendor recommends a full mechanical inspection prior to purchase and this can be arranged for an additional charge.

**Key**  
 S = Scratch    R = Rust    C = Crack    \* = Decals    W = Significant scuffs  
 D = Dent    PT = Paint defect    P = Pin dent    SC = Stone Chips



Note: some defects and blemishes may not be displayed in the diagram

### Body Inspection Comments

Stone chip in windscreen.  
 Dent in RH running board.

Conditions During Body Inspection    Wet

### Under Carriage and Under Bonnet Inspection Comments

### Interior Comments

Seats:	Good
Carpets:	Good
Panels:	Good
Dashboard:	Good

### General Comments

Road Conditions During Test Drive	Wet	
Engine Timing Mechanism	Timing Chain	
Evidence of Cam Belt Replacement	<input type="checkbox"/> Yes <input type="checkbox"/> No	Kms
Inspected by:	Caleb Spicer Lee	
Published by:	Caleb Spicer Lee	
Inspection Date:	26 Mar 2026	

	OK	Requires Attention	N/A
<b>Engine</b>			
Oil level	✓		
Smoke & fumes	✓		
Engine performance	✓		
Noise	✓		
Coolant condition	✓		
Cooling performance	✓		
Radiator / Hoses (visual)	✓		
<b>Transmission</b>			
Operation	✓		
Noise	✓		
Clutch			✓
CV joints	✓		
Wheel bearings	✓		
<b>Brakes</b>			
Performance	✓		
Hand brake	✓		
<b>Tyres (lowest observed tread depth of tyres)</b>			
Left front			4 mm
Right front			5 mm
Left rear			4 mm
Right rear			3.5 mm
Spare		Yes	
<b>Suspension</b>			
Suspension performance	✓		
Steering performance	✓		
Shock absorbers	✓		
<b>Air Conditioning / Heater</b>			
Operation	✓		
<b>Electrical / Accessories</b>			
Head lights	✓		
Tail lights	✓		
Indicators	✓		
Dashboard warning lights	✓		
Wipers (front & rear)	✓		
Window winder FL	✓		
Window winder FR	✓		
Window winder RL	✓		
Window winder RR	✓		
Rear view mirrors	✓		
Radio (basic test only)	✓		
CD (basic test only)			✓
Number of keys	2		
Central locking	✓		
Remote locking	✓		
Sat. nav. (basic test only)			✓
Reversing camera	✓		

I have read and understood this condition guide:    **NAME** \_\_\_\_\_

**SIGNATURE** \_\_\_\_\_