

Report ID:	27,494,436	Version:	1
Created:	12 May 2026		

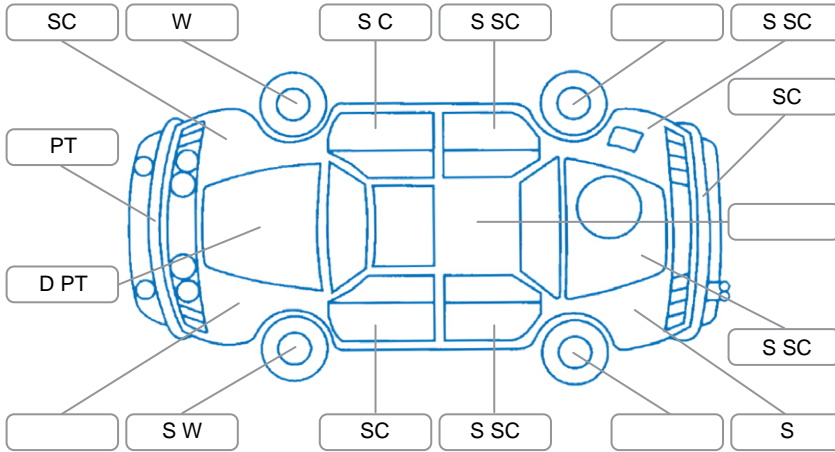
Make:	Toyota	Model:	Corolla
Body Style:	Wagon	Year:	2018
Rego No.:	LMK735	Rego Expiry:	09 Jul 2026
WoF Expiry:	20 May 2027	Odometer:	87,060 Kms
Good No.:	27494436	VIN:	JTDZE4GE70L001324
Next Service:	102000	Service History:	Yes

Note: This report is not a warranty

This report is a guide only. Consideration is made for age and mileage. Parts have not been dismantled or diagnostic testing undertaken. The vehicle has been driven up to 50km/h from cold. The Vendor recommends a full mechanical inspection prior to purchase and this can be arranged for an additional charge.

Key

S = Scratch R = Rust C = Crack * = Decals W = Significant scuffs
 D = Dent PT = Paint defect P = Pin dent SC = Stone Chips



Note: some defects and blemishes may not be displayed in the diagram

Body Inspection Comments

Chips in CVA

Conditions During Body Inspection

Dry

Under Carriage and Under Bonnet Inspection Comments

Interior Comments

Seats:	Good
Carpets:	Good
Panels:	Good
Dashboard:	Good

General Comments

Road Conditions During Test Drive	Dry	
Engine Timing Mechanism	Timing Chain	
Evidence of Cam Belt Replacement	<input type="checkbox"/> Yes <input type="checkbox"/> No	Kms
Inspected by:	Jaykib Collins	
Published by:	Jaykib Collins	
Inspection Date:	12 May 2026	

	OK	Requires Attention	N/A
Engine			
Oil level	✓		
Smoke & fumes	✓		
Engine performance	✓		
Noise	✓		
Coolant condition	✓		
Cooling performance	✓		
Radiator / Hoses (visual)	✓		
Transmission			
Operation	✓		
Noise	✓		
Clutch			✓
CV joints	✓		
Wheel bearings	✓		
Brakes			
Performance	✓		
Hand brake	✓		
Tyres (lowest observed tread depth of tyres)			
Left front			5 mm
Right front			4.5 mm
Left rear			4.5 mm
Right rear			5 mm
Spare		Yes	
Suspension			
Suspension performance	✓		
Steering performance	✓		
Shock absorbers	✓		
Air Conditioning / Heater			
Operation	✓		
Electrical / Accessories			
Head lights	✓		
Tail lights	✓		
Indicators	✓		
Dashboard warning lights	✓		
Wipers (front & rear)	✓		
Window winder FL	✓		
Window winder FR	✓		
Window winder RL	✓		
Window winder RR	✓		
Rear view mirrors	✓		
Radio (basic test only)	✓		
CD (basic test only)	✓		
Number of keys	1		
Central locking	✓		
Remote locking	✓		
Sat. nav. (basic test only)			✓
Reversing camera	✓		

I have read and understood this condition guide:

NAME _____

SIGNATURE _____