

Report ID:	26,114,232	Version:	1
Created:	31 Mar 2026		

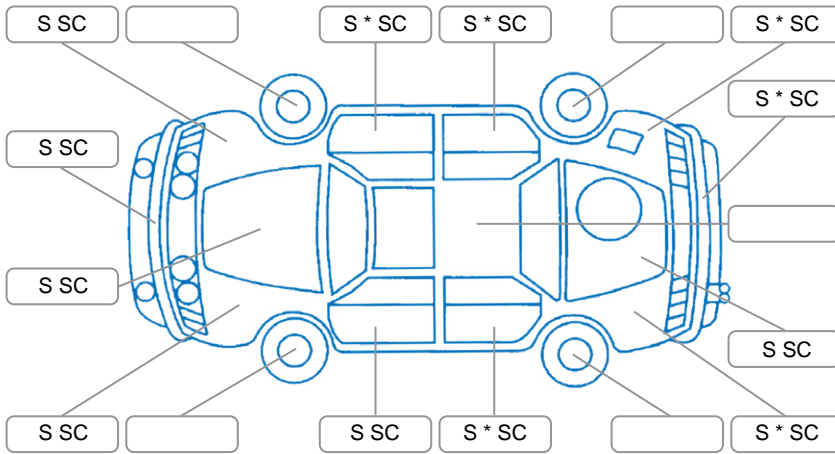
Make:	Hyundai	Model:	I30
Body Style:	Hatchback	Year:	2019
Rego No.:	LWR663	Rego Expiry:	29 Jan 2027
WoF Expiry:	24 Feb 2027	Odometer:	59,623 Kms
Good No.:	26114232	VIN:	TMAH3515MKJ091904
Next Service:	72000	Service History:	Yes

Note: This report is not a warranty

This report is a guide only. Consideration is made for age and mileage. Parts have not been dismantled or diagnostic testing undertaken. The vehicle has been driven up to 50km/h from cold. The Vendor recommends a full mechanical inspection prior to purchase and this can be arranged for an additional charge.

Key

S = Scratch R = Rust C = Crack * = Decals W = Significant scuffs
 D = Dent PT = Paint defect P = Pin dent SC = Stone Chips



Note: some defects and blemishes may not be displayed in the diagram

Body Inspection Comments

Conditions During Body Inspection: Dry

Under Carriage and Under Bonnet Inspection Comments

2wd

Interior Comments

Seats:	Average
Carpets:	Average
Panels:	Average
Dashboard:	Average

General Comments

Road Conditions During Test Drive	Dry	
Engine Timing Mechanism	Timing Chain	
Evidence of Cam Belt Replacement	<input type="checkbox"/> Yes <input type="checkbox"/> No	Kms
Inspected by:	Uriah Pepene	
Published by:	Uriah Pepene	
Inspection Date:	31 Mar 2026	

	OK	Requires Attention	N/A
Engine			
Oil level	✓		
Smoke & fumes	✓		
Engine performance	✓		
Noise	✓		
Coolant condition	✓		
Cooling performance	✓		
Radiator / Hoses (visual)	✓		
Transmission			
Operation	✓		
Noise	✓		
Clutch			✓
CV joints	✓		
Wheel bearings	✓		
Brakes			
Performance	✓		
Hand brake	✓		
Tyres (lowest observed tread depth of tyres)			
Left front			5.5 mm
Right front			5.5 mm
Left rear			5.5 mm
Right rear			5.5 mm
Spare		Yes	
Suspension			
Suspension performance	✓		
Steering performance	✓		
Shock absorbers	✓		
Air Conditioning / Heater			
Operation	✓		
Electrical / Accessories			
Head lights	✓		
Tail lights	✓		
Indicators	✓		
Dashboard warning lights	✓		
Wipers (front & rear)	✓		
Window winder FL	✓		
Window winder FR	✓		
Window winder RL	✓		
Window winder RR	✓		
Rear view mirrors	✓		
Radio (basic test only)	✓		
CD (basic test only)	✓		
Number of keys		2	
Central locking	✓		
Remote locking	✓		
Sat. nav. (basic test only)			✓
Reversing camera	✓		

I have read and understood this condition guide:

NAME _____

SIGNATURE _____