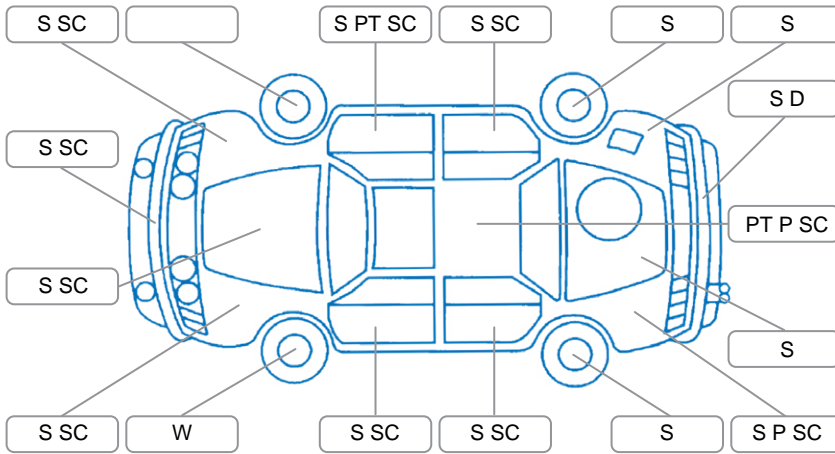


|            |             |          |   |
|------------|-------------|----------|---|
| Report ID: | 25,998,842  | Version: | 2 |
| Created:   | 28 Apr 2026 |          |   |

|               |             |                  |                   |
|---------------|-------------|------------------|-------------------|
| Make:         | Toyota      | Model:           | Vanguard          |
| Body Style:   | Wagon       | Year:            | 2007              |
| Rego No.:     | NPL538      | Rego Expiry:     | 31 May 2026       |
| WoF Expiry:   | 05 Jun 2026 | Odometer:        | 55,679 Kms        |
| Good No.:     | 25998842    | VIN:             | 7AT0H65BX21149563 |
| Next Service: | 49,022 kms  | Service History: | No                |

**Note: This report is not a warranty**  
 This report is a guide only. Consideration is made for age and mileage. Parts have not been dismantled or diagnostic testing undertaken. The vehicle has been driven up to 50km/h from cold. The Vendor recommends a full mechanical inspection prior to purchase and this can be arranged for an additional charge.

**Key**  
 S = Scratch    R = Rust    C = Crack    \* = Decals    W = Significant scuffs  
 D = Dent    PT = Paint defect    P = Pin dent    SC = Stone Chips



Note: some defects and blemishes may not be displayed in the diagram

### Body Inspection Comments

Left wing mirror scuffed, no spare tyre or tyre kit

Conditions During Body Inspection

Wet

### Under Carriage and Under Bonnet Inspection Comments

No oil on dip stick  
 Engine under tray loose

### Interior Comments

|            |         |
|------------|---------|
| Seats:     | Good    |
| Carpets:   | Good    |
| Panels:    | Good    |
| Dashboard: | Average |

### General Comments

|                                   |  |     |
|-----------------------------------|--|-----|
| Road Conditions During Test Drive | Wet  |     |
| Engine Timing Mechanism           | Timing Chain   |     |
| Evidence of Cam Belt Replacement  | <input type="checkbox"/> Yes <input type="checkbox"/> No | Kms |
| Inspected by:                     | Dean Sinclair  |     |
| Published by:                     | Dean Sinclair  |     |
| Inspection Date:                  | 28 Apr 2026  |     |

|   | OK | Requires Attention | N/A    |
|---|----|--------------------|--------|
| <b>Engine</b>                                       |    |                    |        |
| Oil level   |    | ✓                  |        |
| Smoke & fumes                                       | ✓  |                    |        |
| Engine performance                                  | ✓  |                    |        |
| Noise   | ✓  |                    |        |
| Coolant condition                                   | ✓  |                    |        |
| Cooling performance                                 | ✓  |                    |        |
| Radiator / Hoses (visual)                           | ✓  |                    |        |
| <b>Transmission</b>                                 |    |                    |        |
| Operation   | ✓  |                    |        |
| Noise   | ✓  |                    |        |
| Clutch  |    |                    | ✓      |
| CV joints   | ✓  |                    |        |
| Wheel bearings                                      | ✓  |                    |        |
| <b>Brakes</b>                                       |    |                    |        |
| Performance   | ✓  |                    |        |
| Hand brake  | ✓  |                    |        |
| <b>Tyres (lowest observed tread depth of tyres)</b> |    |                    |        |
| Left front  |    |                    | 3 mm   |
| Right front   |    |                    | 2.5 mm |
| Left rear   |    |                    | 4.5 mm |
| Right rear  |    |                    | 5 mm   |
| Spare   |    | No                 |        |
| <b>Suspension</b>                                   |    |                    |        |
| Suspension performance                              | ✓  |                    |        |
| Steering performance                                | ✓  |                    |        |
| Shock absorbers                                     | ✓  |                    |        |
| <b>Air Conditioning / Heater</b>                    |    |                    |        |
| Operation   | ✓  |                    |        |
| <b>Electrical / Accessories</b>                     |    |                    |        |
| Head lights   | ✓  |                    |        |
| Tail lights   | ✓  |                    |        |
| Indicators  | ✓  |                    |        |
| Dashboard warning lights                            | ✓  |                    |        |
| Wipers (front & rear)                               | ✓  |                    |        |
| Window winder FL                                    | ✓  |                    |        |
| Window winder FR                                    | ✓  |                    |        |
| Window winder RL                                    | ✓  |                    |        |
| Window winder RR                                    | ✓  |                    |        |
| Rear view mirrors                                   | ✓  |                    |        |
| Radio (basic test only)                             | ✓  |                    |        |
| CD (basic test only)                                | ✓  |                    |        |
| Number of keys                                      | 2  |                    |        |
| Central locking                                     | ✓  |                    |        |
| Remote locking                                      | ✓  |                    |        |
| Sat. nav. (basic test only)                         |    |                    | ✓      |
| Reversing camera                                    | ✓  |                    |        |

I have read and understood this condition guide:

NAME \_\_\_\_\_

SIGNATURE \_\_\_\_\_