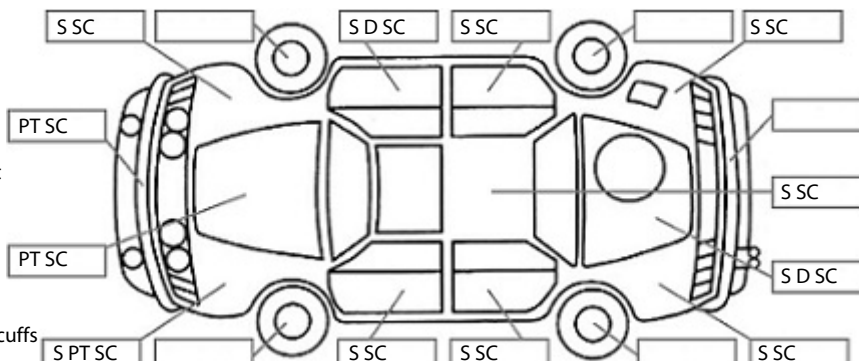


|                                |                              |                                |
|--------------------------------|------------------------------|--------------------------------|
| <b>Make:</b> Toyota            | <b>Model:</b> Hilux          | <b>Body Style:</b> Utility     |
| <b>Year:</b> 2003              | <b>Registration:</b> EMG710  | <b>Reg Expiry:</b> 26 Sep 2019 |
| <b>WoF Expiry:</b> 11 Feb 2020 | <b>Odometer:</b> 337,609 Kms | <b>Good No:</b> 19104786       |
| <b>VIN:</b> JTFDV696800017942  | <b>Next Service:</b> 348,000 | <b>Service History:</b> No     |

**Note: This report is not a warranty**

This report is a guide only. Consideration is made for age and mileage. Parts have not been dismantled or diagnostic testing undertaken. The vehicle has been driven up to 50km/h from cold. The Vendor recommends a full mechanical inspection prior to purchase and this can be arranged for an additional charge.

**Key:**  
S = scratch  
D = dent  
R = rust  
PT = paint defect  
C = crack  
P = pin dent  
\* = decals  
SC = stone chips  
W = significant scuffs



**Body Inspection Comments**  
Rear bull bar bent with a dent  
Front windscreen stone chips

Note: some defects & blemishes may not be displayed in the diagram

Conditions During Body Inspection: Dry

Under Carriage & Under Bonnet Inspection Comments

**Interior Comments**

|           |                                  |
|-----------|----------------------------------|
| Seats     | drivers seat ripped rest average |
| Carpets   | Poor                             |
| Panels    | Average                          |
| Dashboard | Good                             |

General Comments

Road Conditions During Test Drive: Dry

Engine Timing Mechanism: Cambelt  
Evidence of Cam Belt Replacement: Yes      Kms: 300,000

|   | Pass | Fail | N/A |
|---|------|------|-----|
| <b>Engine</b>                                       |      |      |     |
| Oil level   | ✓    |      |     |
| Smoke & fumes                                       | ✓    |      |     |
| Performance   | ✓    |      |     |
| Noise   | ✓    |      |     |
| <b>Cooling System</b>                               |      |      |     |
| Coolant condition                                   | ✓    |      |     |
| Performance   | ✓    |      |     |
| Radiator / Hoses (visual)                           | ✓    |      |     |
| <b>Transmission</b>                                 |      |      |     |
| Operation   | ✓    |      |     |
| Noise   | ✓    |      |     |
| Clutch  | ✓    |      |     |
| CV joints   | ✓    |      |     |
| Wheel bearings                                      | ✓    |      |     |
| <b>Brakes</b>                                       |      |      |     |
| Performance   | ✓    |      |     |
| Hand Brake  | ✓    |      |     |
| <b>Tyres</b> (lowest observed tread depth of tyres) |      |      |     |
| Left front  | 9.6  | mm   |     |
| Right front   | 9.3  | mm   |     |
| Left rear   | 5.8  | mm   |     |
| Right rear  | 5.9  | mm   |     |
| Spare   | Yes  |      |     |
| <b>Suspension</b>                                   |      |      |     |
| Suspension performance                              | ✓    |      |     |
| Steering performance                                | ✓    |      |     |
| Shock absorbers                                     | ✓    |      |     |
| <b>Air Conditioning / Heater</b>                    |      |      |     |
| Operation   | ✓    |      |     |
| <b>Electrical / Accessories</b>                     |      |      |     |
| Head lights   | ✓    |      |     |
| Tail lights   | ✓    |      |     |
| Indicators  | ✓    |      |     |
| Dashboard warning lights                            | ✓    |      |     |
| Wipers (front & rear)                               | ✓    |      |     |
| Window winder FL                                    | ✓    |      |     |
| Window winder FR                                    | ✓    |      |     |
| Window winder RL                                    | ✓    |      |     |
| Window winder RR                                    | ✓    |      |     |
| Rear view mirrors                                   | ✓    |      |     |
| Radio (basic test only)                             | ✓    |      |     |
| CD (basic test only)                                | ✓    |      |     |
| Number of keys                                      | 2    |      |     |
| Central locking                                     | ✓    |      |     |
| Remote locking                                      |      |      | ✓   |
| Sat. Nav. (basic test only)                         |      |      | ✓   |
| Reversing camera                                    |      |      | ✓   |

Inspected by: Ian Dunn      Date: 26 Feb 2019

I have read and understood this condition guide.      Name: .....      Signature: .....