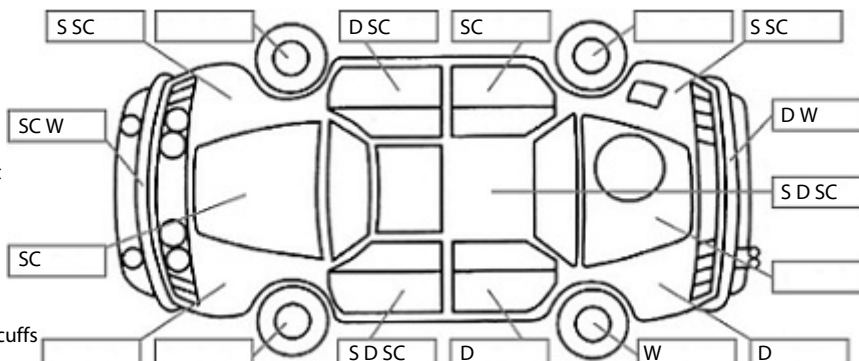


| | | |
|--------------------------------|------------------------------|--------------------------------|
| Make: Nissan | Model: Pathfinder | Body Style: SUV |
| Year: 2007 | Registration: EGE131 | Reg Expiry: 27 Dec 2019 |
| WoF Expiry: 05 Jun 2020 | Odometer: 177,244 Kms | Good No: 18015272 |
| VIN: VSKJWVR51A0240340 | Next Service: 183000 | Service History: No |

Note: This report is not a warranty

This report is a guide only. Consideration is made for age and mileage. Parts have not been dismantled or diagnostic testing undertaken. The vehicle has been driven up to 50km/h from cold. The Vendor recommends a full mechanical inspection prior to purchase and this can be arranged for an additional charge.

Key:
 S = scratch
 D = dent
 R = rust
 PT = paint defect
 C = crack
 P = pin dent
 * = decals
 SC = stone chips
 W = significant scuffs



Body Inspection Comments Note: some defects & blemishes may not be displayed in the diagram
 Stone chips front screen. Rear cup holder broken. Inner sills need painting

Conditions During Body Inspection: Dry

Under Carriage & Under Bonnet Inspection Comments

Interior Comments

| | |
|-----------|------|
| Seats | Good |
| Carpets | Good |
| Panels | Good |
| Dashboard | Good |

General Comments

Road Conditions During Test Drive: Dry

Engine Timing Mechanism: Timing Chain
 Evidence of Cam Belt Replacement: Not Applicable Kms:

| | Pass | Fail | N/A |
|---|------|------|-----|
| Engine | | | |
| Oil level | ✓ | | |
| Smoke & fumes | ✓ | | |
| Performance | ✓ | | |
| Noise | ✓ | | |
| Cooling System | | | |
| Coolant condition | ✓ | | |
| Performance | ✓ | | |
| Radiator / Hoses (visual) | ✓ | | |
| Transmission | | | |
| Operation | ✓ | | |
| Noise | ✓ | | |
| Clutch | | | ✓ |
| CV joints | ✓ | | |
| Wheel bearings | ✓ | | |
| Brakes | | | |
| Performance | ✓ | | |
| Hand Brake | ✓ | | |
| Tyres (lowest observed tread depth of tyres) | | | |
| Left front | 5.0 | mm | |
| Right front | 5.0 | mm | |
| Left rear | 5.0 | mm | |
| Right rear | 5.0 | mm | |
| Spare | Yes | | |
| Suspension | | | |
| Suspension performance | ✓ | | |
| Steering performance | ✓ | | |
| Shock absorbers | ✓ | | |
| Air Conditioning / Heater | | | |
| Operation | ✓ | | |
| Electrical / Accessories | | | |
| Head lights | ✓ | | |
| Tail lights | ✓ | | |
| Indicators | ✓ | | |
| Dashboard warning lights | ✓ | | |
| Wipers (front & rear) | ✓ | | |
| Window winder FL | ✓ | | |
| Window winder FR | ✓ | | |
| Window winder RL | ✓ | | |
| Window winder RR | ✓ | | |
| Rear view mirrors | ✓ | | |
| Radio (basic test only) | ✓ | | |
| CD (basic test only) | ✓ | | |
| Number of keys | 1 | | |
| Central locking | ✓ | | |
| Remote locking | ✓ | | |
| Sat. Nav. (basic test only) | | | ✓ |
| Reversing camera | | | ✓ |

Inspected by: Brian Hill Date: 09 Oct 2019

I have read and understood this condition guide. Name: Signature: